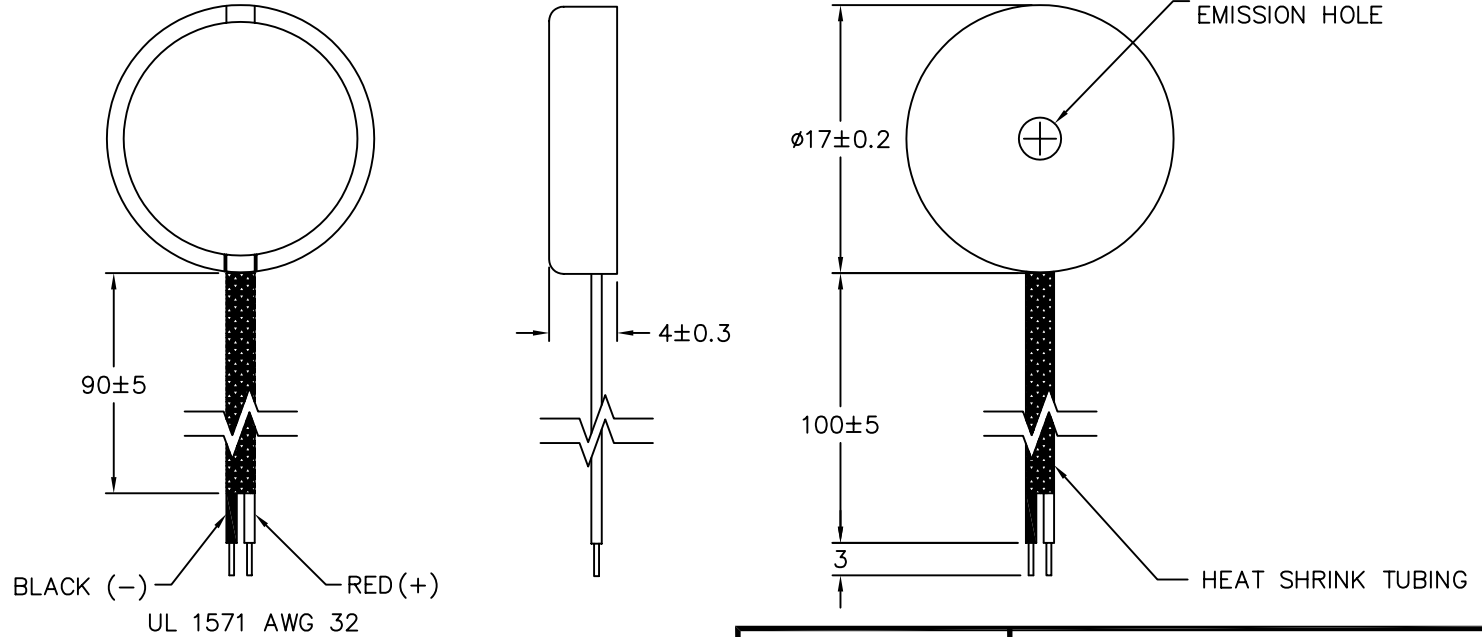


THIS DOCUMENT CONTAINS DATA PROPRIETARY TO PROJECTS UNLIMITED, INC. ANY USE OR REPRODUCTION, IN ANY FORM, WITHOUT PRIOR WRITTEN PERMISSION OF PROJECTS UNLIMITED, INC. IS PROHIBITED.
 © 2005, Projects Unlimited Inc.

SPECIFICATIONS

PARAMETERS	VALUES	UNITS
RATED VOLTAGE	3	Vp-p
OPERATING VOLTAGE RANGE	1 ~ 30	Vp-p
RATED CURRENT (MAX)	2	mA
CAPACITANCE	15000±30%	pF
MINIMUM SPL @ 10 CM	78	dBA
RESONANT FREQUENCY	4000±500	Hz
OPERATING TEMPERATURE	-20 ~ +60	°C
STORAGE TEMPERATURE	-30 ~ +70	°C
HOUSING MATERIAL	NORYL	-
TERMINAL MATERIAL	LEAD WIRE	-
WEIGHT	1	grams


REVISIONS			
LTR	DESCRIPTION	DATE	APPROVED
-	RELEASED FROM ENGINEERING	7/5/06	



NOTES:

1. ALL DIMENSIONS ARE IN MILLIMETERS.
2. SPECIFICATION SUBJECT TO CHANGE OR WITHDRAWAL WITHOUT NOTICE.
3. THIS PART IS RoHS 2002/95/EC COMPLIANT.

FILE NAME
 AT-1740-T-LW100-R.DWG

UNLESS OTHERWISE SPECIFIED: DIMENSIONS ARE IN MILLIMETERS, TOLERANCES ARE ± 0.5 AND ANGLES ARE $\pm 5^\circ$.		 projects® unlimited Dayton, Ohio									
<table border="1"> <thead> <tr> <th>APPROVALS</th> <th>DATE</th> </tr> </thead> <tbody> <tr> <td>DRAWN <i>J.D.</i></td> <td>7/06</td> </tr> <tr> <td>CHECKED <i>E.P.</i></td> <td>7/06</td> </tr> <tr> <td>APPROVED <i>B.R.</i></td> <td>7/06</td> </tr> </tbody> </table>		APPROVALS	DATE	DRAWN <i>J.D.</i>	7/06	CHECKED <i>E.P.</i>	7/06	APPROVED <i>B.R.</i>	7/06	TRANSDUCER (PIEZO)	
APPROVALS	DATE										
DRAWN <i>J.D.</i>	7/06										
CHECKED <i>E.P.</i>	7/06										
APPROVED <i>B.R.</i>	7/06										
<table border="1"> <thead> <tr> <th>SIZE</th> <th>DRAWING NO.</th> </tr> </thead> <tbody> <tr> <td>A</td> <td>AT-1740-T-LW100-R</td> </tr> </tbody> </table>		SIZE	DRAWING NO.	A	AT-1740-T-LW100-R	SHEET 1 OF 1					
SIZE	DRAWING NO.										
A	AT-1740-T-LW100-R										
DO NOT SCALE DRAWING		SCALE: N.T.S.									